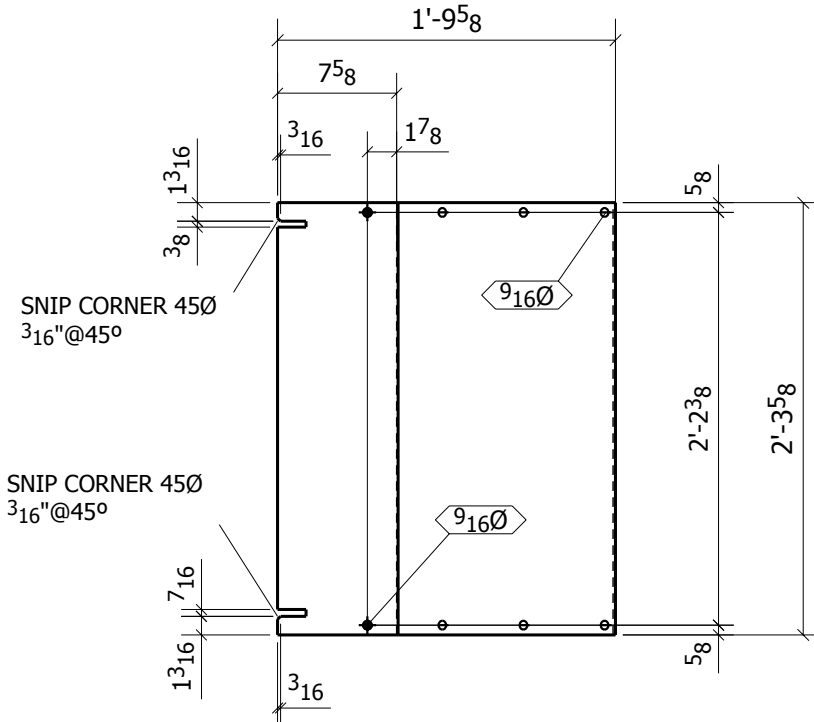
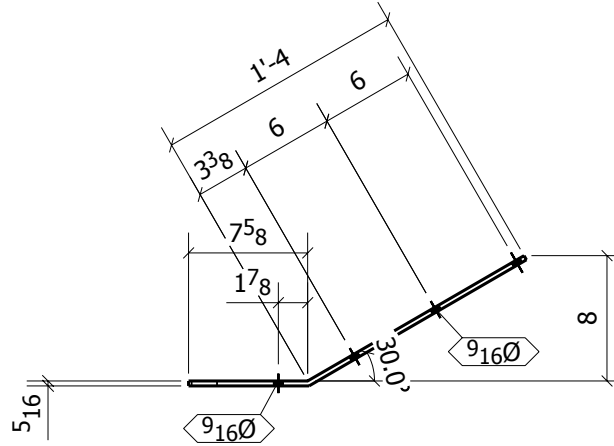


BILL OF MATERIAL

MARK	QTY.	DESCRIPTION	LENGTH	MATERIAL	REMARKS
p35	1	PL5/16X23 5/8	2'-3 5/8"	A36	BRAKE



1 PLATE(S) MARK: p35

QTY	ASSY
1	A56

8-9-10 ISSUED FOR FAB PER APPROVAL COMMENTS & ADDED LINER PLATES

FABRICATORS LOGO

STREET CITY, ST ZIP PHONE: (555) 123-4567 FAX: (555) 123-4567

COAL CRUSHER
Fairbanks, Alaska

DRAWN: TMI CHECKED: JP 7/31/10

FITTING SHEET - PLATE JOB: HK2570 SHEET: p35