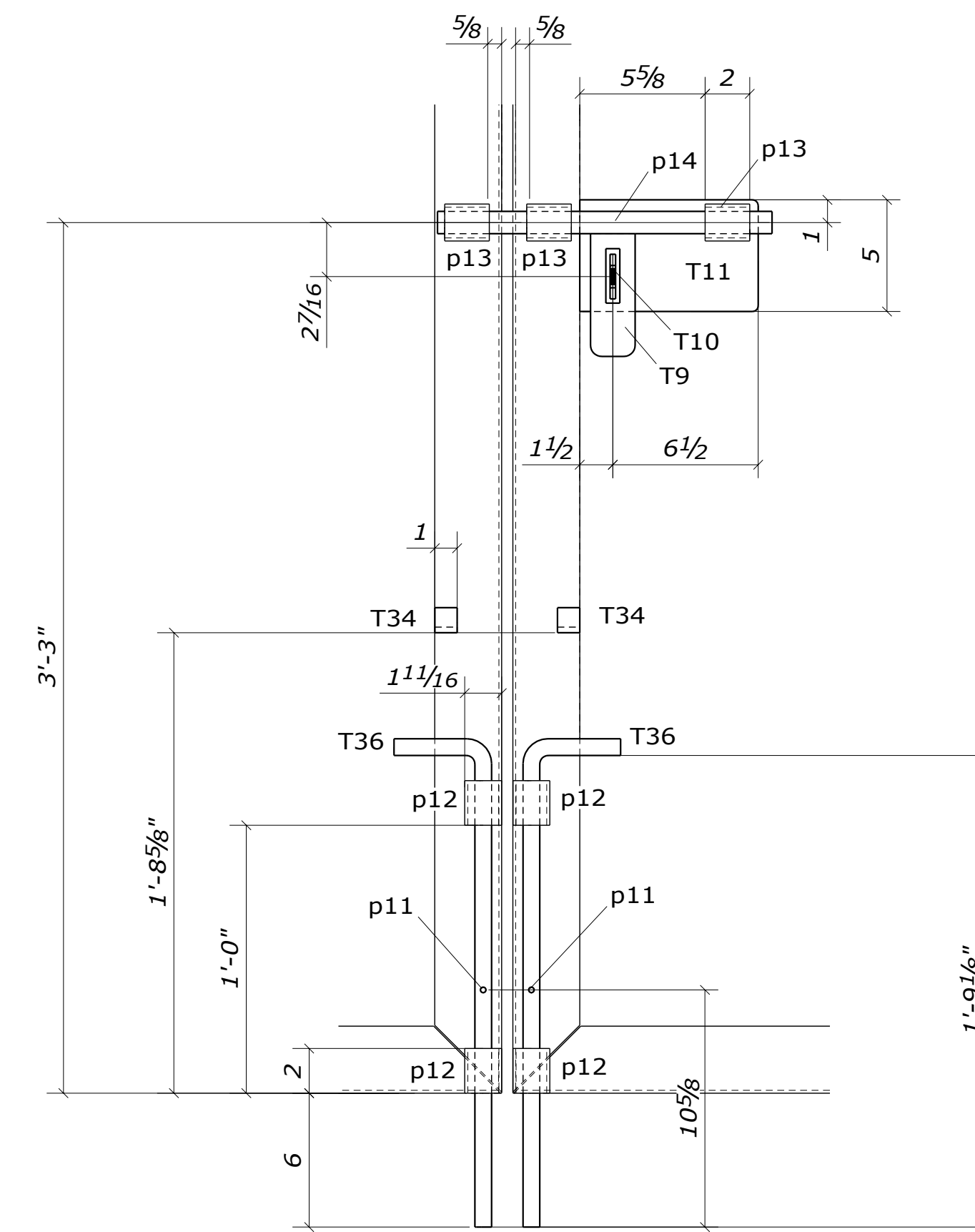
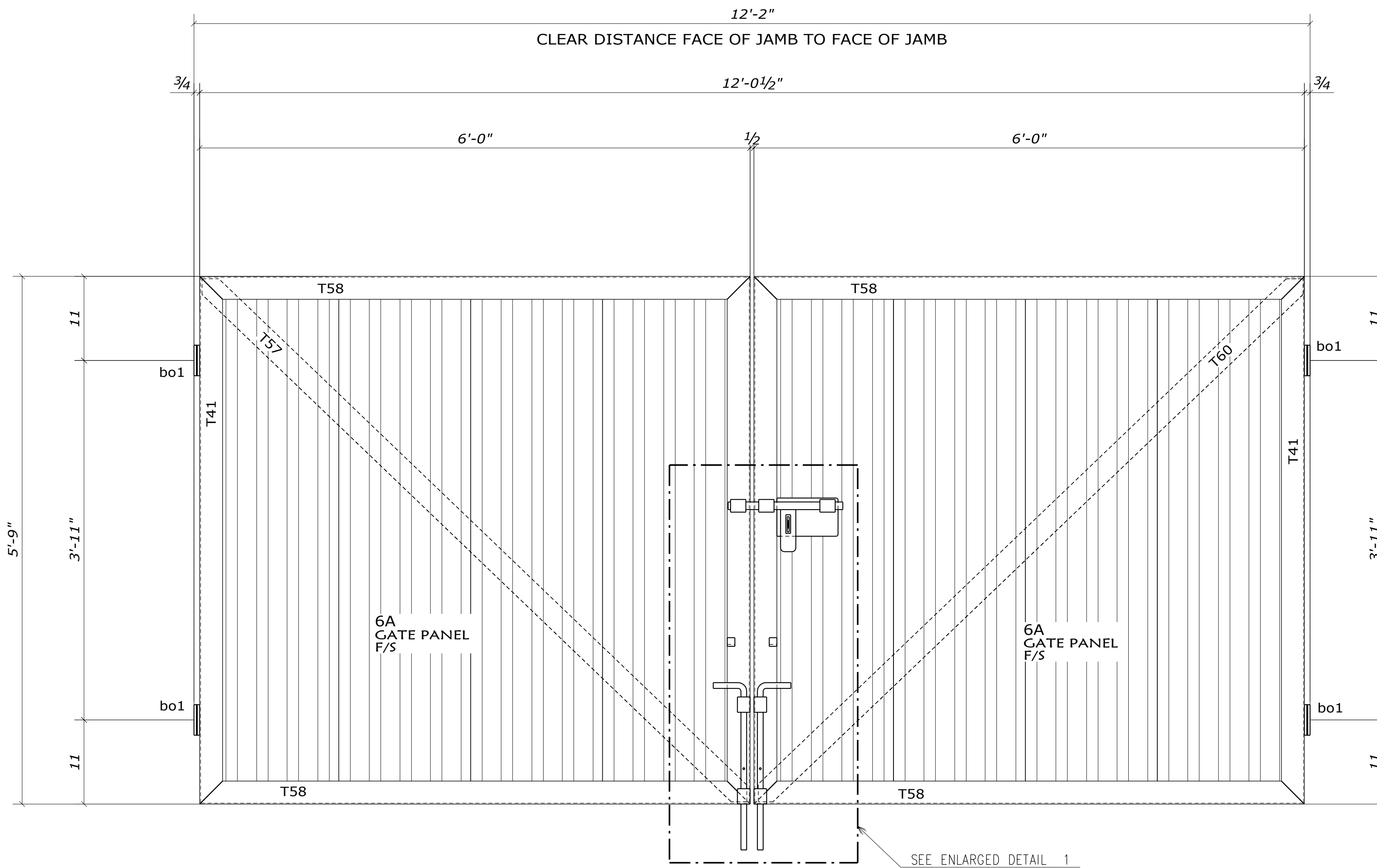
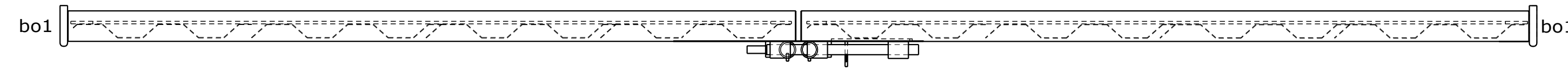


BILL OF MATERIAL									
ABM MARK	SHIPPING MARK	ASSY MARK	NO. REQ'D	DESCRIPTION	LENGTH	GRADE	WEIGHT	REMARKS	
	6A		2	12'-6" GATE					
		T9	2	PL1/4X2	0'-5 1/2"	A36	1		
		T10	2	PL1/4X2	0'-2 1/2"	A36	1		
		T11	2	PL1/4X5	0'-8"	A36	6		
		T34	4	PL1/4X1	0'-2 1/4"	A36	1	BEND	
		T36	4	ROD3/4	2'-1 3/16"	A36	13	BEND	
		T38	4	22ga B-DECK	SEE DETAIL	A36	405		
		T41	8	L3 X3 X1/8	5'-8 15/16"	A36	114	BC2E	
		T57	2	PL1/4X3	8'-2 3/4"	A36	41		
		T58	8	L3 X3 X1/8	5'-11 15/16"	A36	119	BC2E	
		T60	2	PL1/4X3	8'-2 3/4"	A36	41		
		bo1	8	4" GATE HINGE		A36	27	SHOP STD	
		p11	4	ROD1/4	0'-0 3/4"	A36	0		
		p12	8	PIPE1-1/4STD	0'-2"	A53	3		
		p13	6	PIPE1-1/4STD	0'-2"	A53	2		
		p14	2	ROD1	1'-3"	A36	7		
							TOTAL =	780	



DETAIL 1

FOR APPROVAL ONLY - NOT FOR CONSTRUCTION

2 12'-6" GATE(S) MARK: 6A
 >> SHOP PRIME <<
 REF: 17/A-0.4

9-29-08	ISSUED FOR APPROVAL				
9-29-08	ISSUED FOR APPROVAL				
MATERIAL: A36 U.N.O.	BOLT: A307 U.N.O.	HOLE SIZE: NOTED	WELD: 3/16"	ELECTRODE: E70xx	
FABRICATORS LOGO STREET ADDRESS: _____ CITY: ST ZIP _____			The man, Inc. jack@paljack.com Phone 760 295-1860 Fax 760 269-3135 Professional Steel Detailing & Consulting		
ARCH: ARCHITECT	Newport Beach, CA		JOB NAME & LOCATION: STRIP MALL Oceanside, CA		
ENGR: ENGINEER	Irvine, CA				
CONTR: CONTRACTOR	Vista, CA				
REF:			JOB: 08068		
DRAWN BY: JP	09/26/2008	CHECKED BY: TMI	10-18-08	SHEET: 6	
SHEET TITLE: TRASH GATE					
MODIFIED DATE: 12/12/2011 LAST PLOT DATE: 09/27/2008 CAD FILENAME: WEBMODEL					