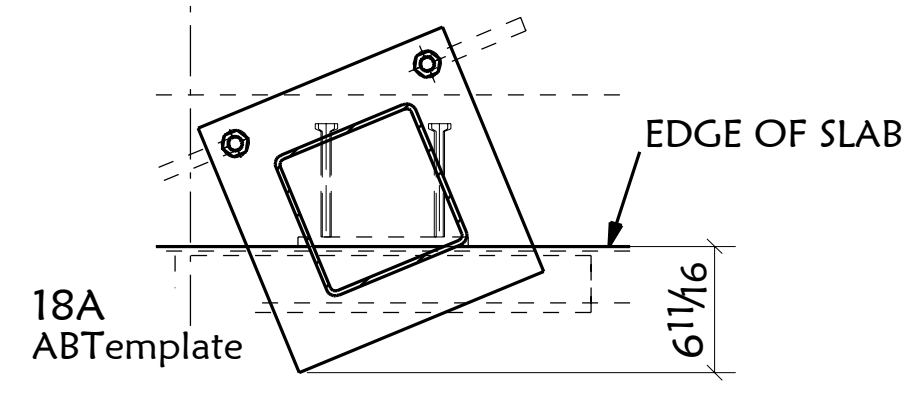


SEE DETAIL 3



DETAIL 3

Roof - EL. 364.5'

GENERAL NOTES:
 1) SEE E16 FOR BENTS 1-8 ELEVATIONS

CONTRACTOR NOTES:
 1) THIS DRAWING IS ISSUED FOR PLACEMENT OF THE EMBEDS ONLY. OTHER STEEL SHOWN IS TO FACILITATE CLARITY AND WILL BE SUBMITTED FOR APPROVAL UNDER A SEPARATE SUBMITTAL.
 2) SHIP LADDER (6/A907 & 16/A903) AND RELATED EMBEDS ARE SHOWN ON E600.

7-24-05	FOR CONSTRUCTION - REVISED PER RFI-224 & 317A-F
3-24-05	ISSUED FOR APPROVAL

FABRICATORS LOGO		The Man, Inc. Professional Steel Detailing & Consulting
STREET ADDRESS CITY, ST ZIP	PHONE: (555) 123-4567 FAX: (555) 123-4567	

ARCH:	ENGR:	CONTR:	REF:	DRAWN BY: SSC	03/10/2005	CHECKED BY: JP	7-23-05	JOB: 2267	SHEET: E15
SHEET TITLE: ROOF LEVEL PLAN - CROWN FRAMING EMBEDS								MODIFIED DATE: 07/24/2005 LAST PLOT DATE: 07/24/2005 CAD FILENAME: Cortez_Blu	