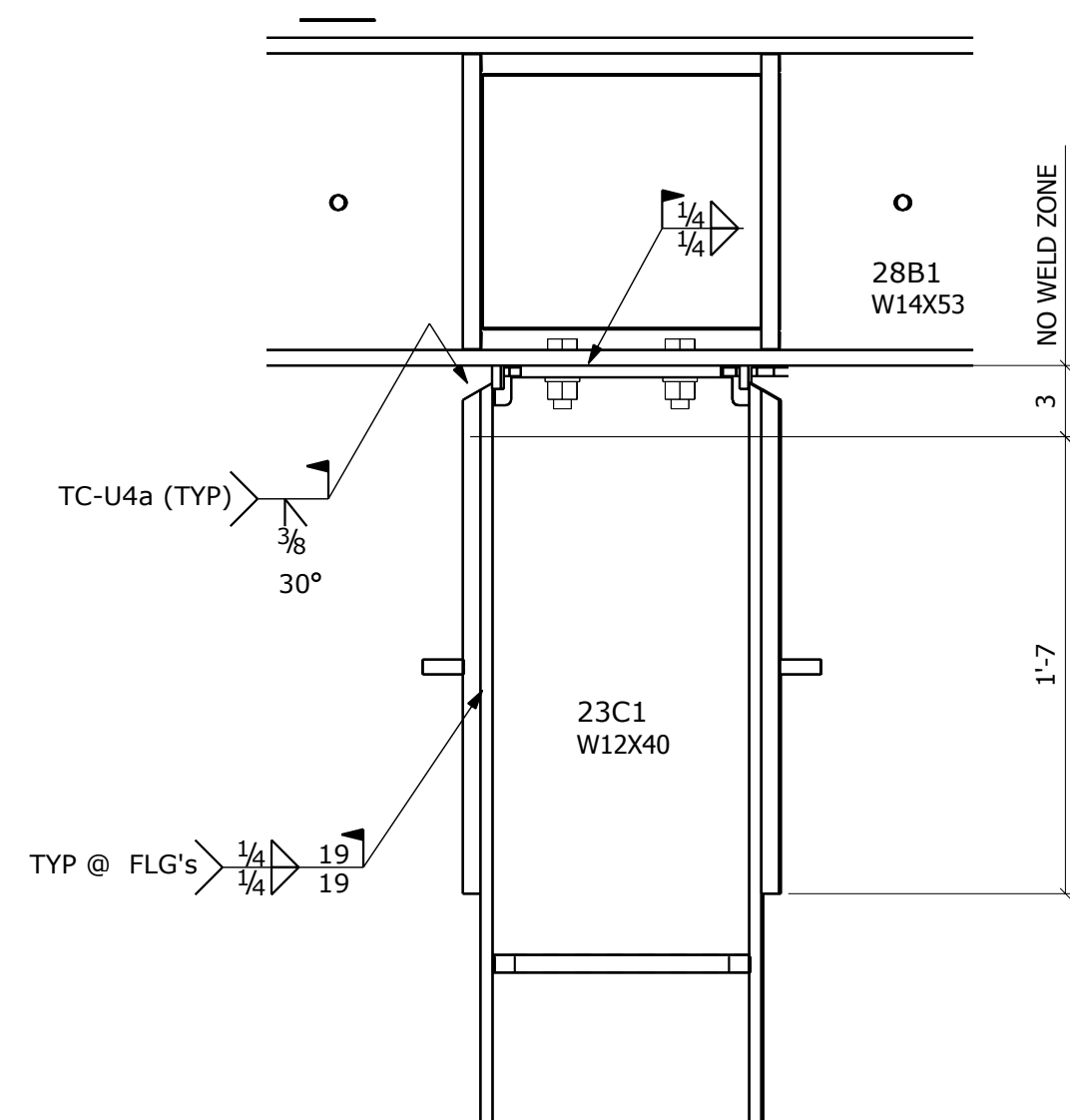
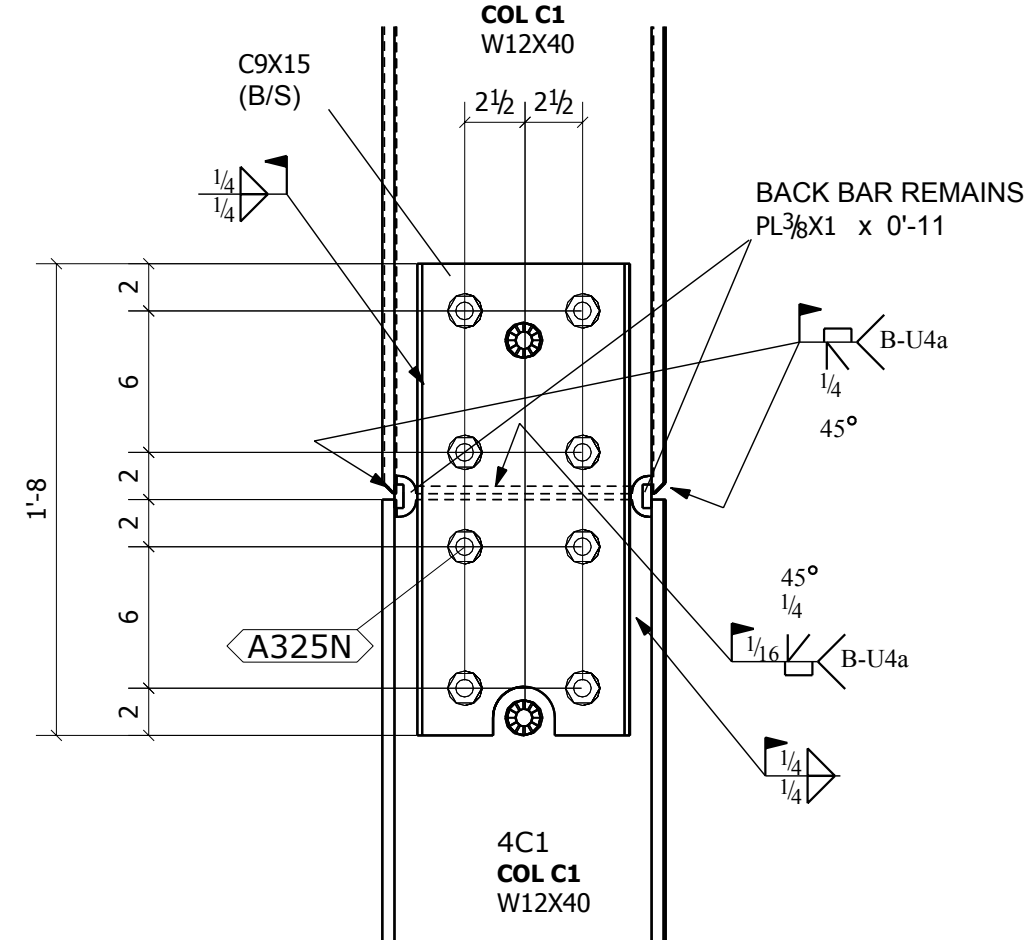


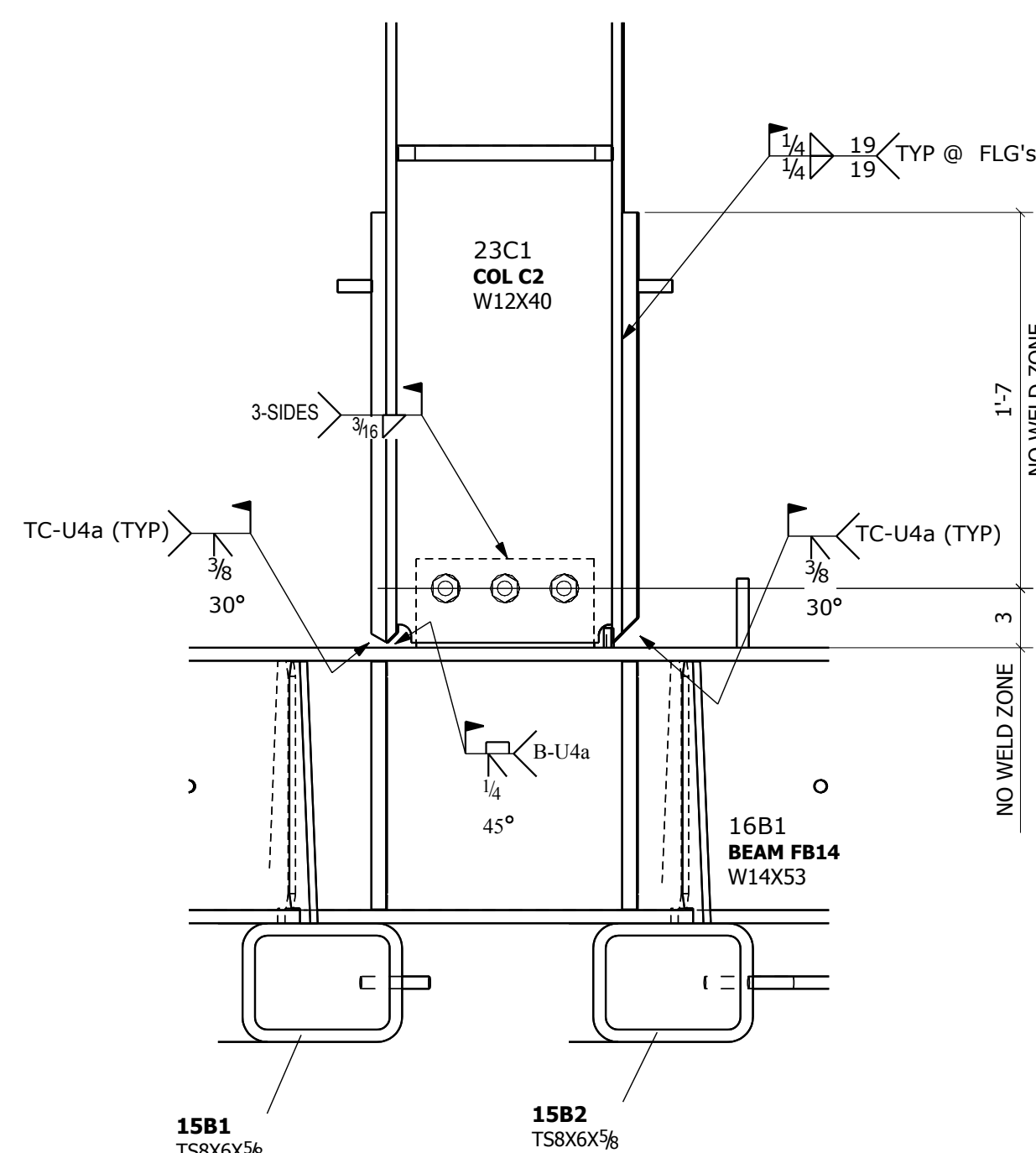
DETAIL - B REF: S1d



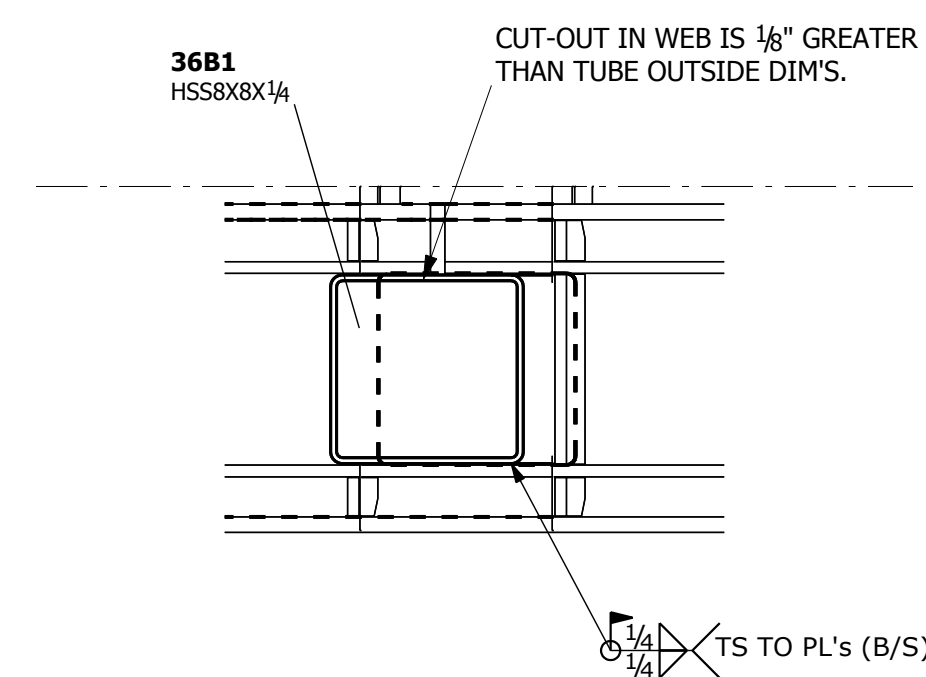
DETAIL - D REF: 19/S7



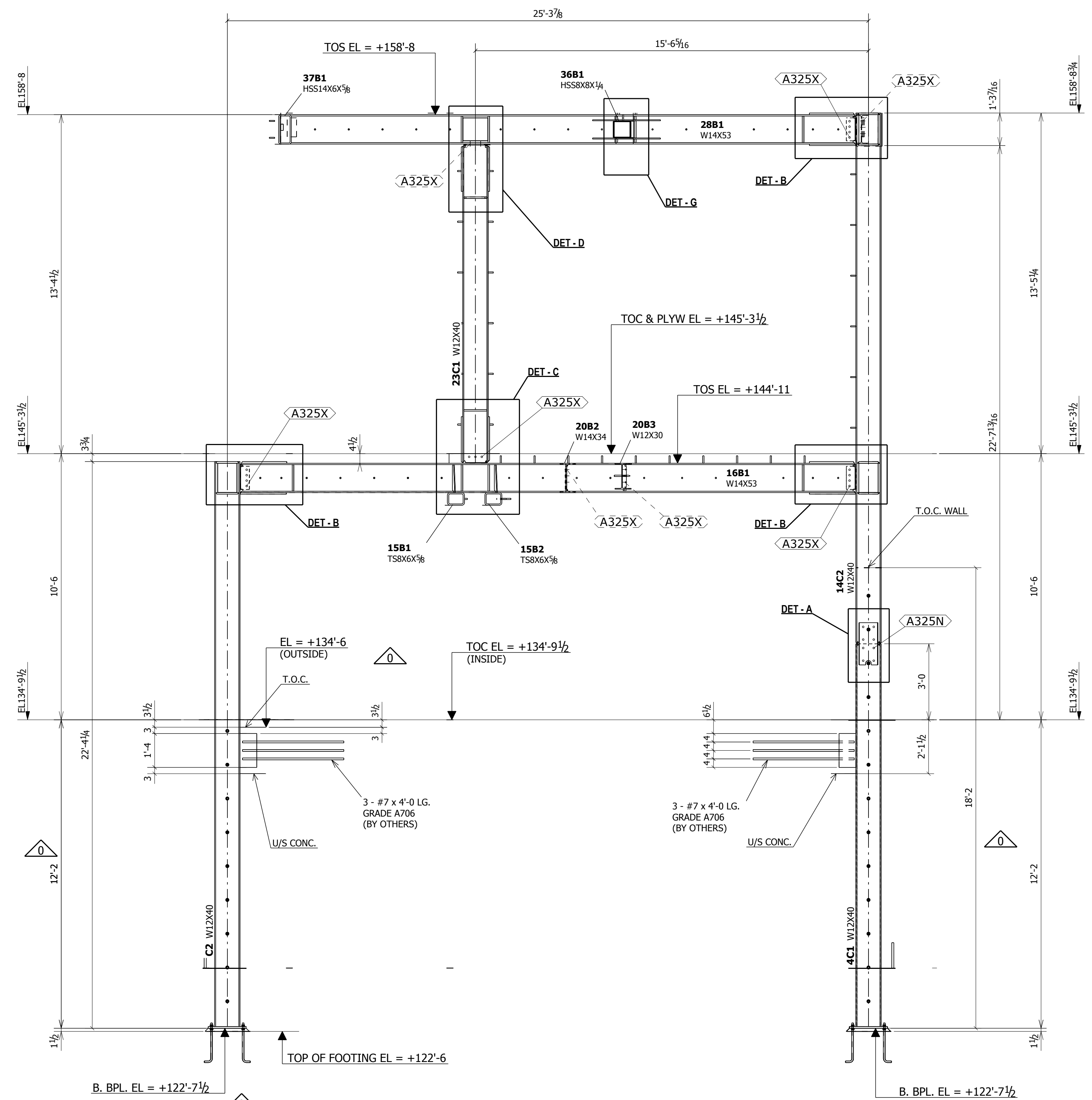
DETAIL - A



DETAIL - C REF: 49/S9



DETAIL - G REF: 23/S7



SECTION 2 - 2 (MOMENT FRAME - MF1)

E1

FOR APPROVAL ONLY - NOT FOR CONSTRUCTION

5-16-10	ISSUED FOR APPROVAL
5-16-10	ISSUED FOR APPROVAL
11-5-09	ISSUED TO OBTAIN CONTROL DIM'S & ELEV'S
10-8-09	ISSUED FOR CONSTRUCTION - MKS 4C1 & SC1
9-23-09	ISSUED FOR APPROVAL - RELEASE MKS 4C1 and SC1 ONLY

<b>FABRICATORS LOGO</b>		<b>Theman Inc.</b> Professional Steel Detailing & Consulting
STREET CITY, ST ZIP	PHONE: (555) 123-4567 FAX: (555) 123-4567	

ARCH: Architecture City, ST, ZIP	JOB NAME & LOCATION: Luxury Residence La Jolla, CA
ENGR: Engineering City, ST, ZIP	
CONTR: Contractor City, ST, ZIP	

REF:	DATE: 09/2009	CHECKED BY: JP	DATE: 9-22-09	JOB: 1234
DRAWN BY: EC				SHEET: E4
SHEET TITLE: MOMENT FRAME - SECTIONS & DETAILS				